

## DSP 204H 20W-40W Explosion-proof Horn Speaker

### Features



- Explosion-proof type: Fireproof
- Explosion-proof marking: ExdIICT6
- Degree of protection: IP54
- Line Voltage 100V
- Max SPL: 118±2dB
- Wide Freq.Resp.: 400Hz-10kHz
- High sensitivity: 105±2dB

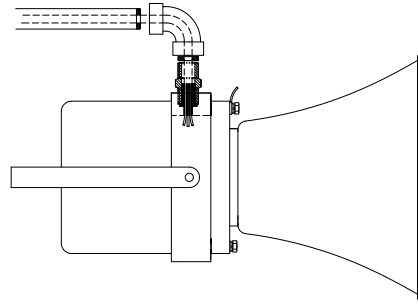
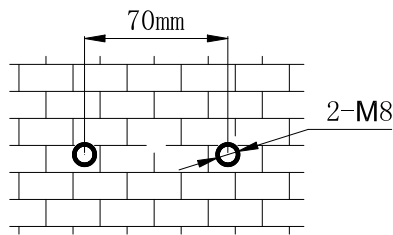
### Description

DSP 204H features superior fireproof performance and sufficient mechanical strength. It is with high sensitivity and electricity/sound efficiency. This product is used for high fire resistance, generates no hazardous gas or environmental pollution.

DSP 204H is suitable for broadcasting, paging and emergency broadcasting in chemical plants, gas stations and the like which have a risk of explosion due to methane mixture, petroleum and other dangerous gas. It is applicable to a site where Class II, T6 explosive atmosphere exists or steam or air is generated.

### Specification

MODEL	DSP204H
Rated Power	20W
Max Power	40W
Line Voltage	70/100V
Sensitivity(1M,1W)	105±2dB
Max SPL(1M)	118±2dB
Freq. Resp	400Hz-10kHz
Dimension(L×W×H)	252*252*355mm
Weight	7.2 kg



## *Installation*

1. Fix the product to a solid position with two bolts with a diameter of 8 mm (see Fig. above). Be sure that the bolts are tightened securely.
2. Tighten the cable entry device, and seal the loose cables at the horn cable entry by using epoxy resin with a length of not less than 20mm. Be sure that the sealing is tight and securely.
3. Loosen the securing nuts on both sides of the support so that the orientation of speaker is adjustable. Tighten the speaker on the bolts previously mounted, adjust the orientation of speaker, and retighten the securing nuts on the support.
4. Connect the red and white audio input cables of the speaker to the audio transmission cable inside the corrosion-resistant pipe, and securely ground the inner and outer yellow-green ground wires.
5. Connect the corrosion-resistant pipes with sealing pad between joints to ensure that the pipe connection from the horn cable entry to the audio source output terminal is airtight.

