

## DSP3154EN 10W EN54 Fireproof Ceiling Speaker

### *Features*

- Rate power 10W
- Built-in 100v transformer
- Comply with EN54-24 requirements
- With fire dome to protect wire connection
- Fireproof plastic wire joint and ceramic terminal
- 6.5" paper cone speaker driver unit
- High-class steel and form by stamping
- Aluminum grille, stainless and durable
- Clip type flush mount design for easy installation
- Equipped with steel hanging line, double ensure safe installation and daily use

### *Description*

The DSP3154EN is a ceiling speaker designed for voice evacuation systems, which comply with EN54-24 requirements. It has a 100v transformer built in. The 100v transmission is realized in a high-voltage, low-current mode, which makes longer distance transmission and parallel connection of multiple loudspeakers possible.

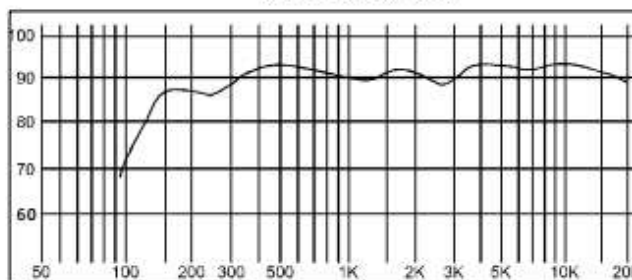
The built-in 6.5" speaker driver and the multiple terminals 2.5W-10W can be applied to different occasions vary in area sizes and background noises; It is made of high-class steel and fixed by stamping, which ensures long-term durability, and will never be out of shape; Equipped with leaded wire case (fire dome) which is hard to burn for fireproofing; Spring clip clamp makes the easy and secure installation possible; Driver surround excellent damping, long life, clear and sonorous sounds. It is an ideal choice for industrial and commercial applications in hotel, school, office and factory where background music and paging is needed.

### *Specification*

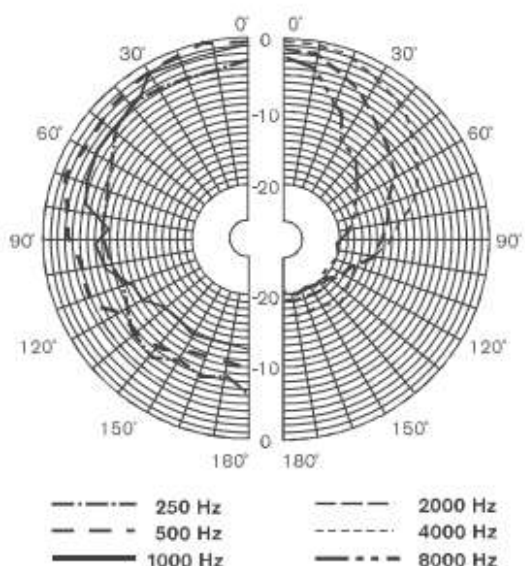
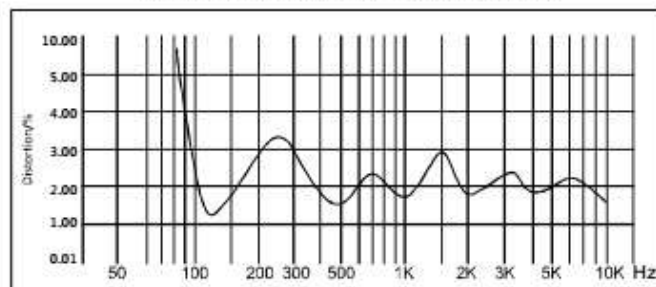
|                       |                      |
|-----------------------|----------------------|
| MODEL                 | DSP3154EN            |
| FULL-RANGE            | 6.5"                 |
| RATED POWER           | 10W                  |
| LINE INPUT            | 100V                 |
| SENSITIVITY(1M,1W)    | 90dB ±2dB            |
| MAX SPL(1M)           | 100dB ±2dB           |
| FREQ. RESPONSE        | 180Hz-16kHz          |
| DEMENSIONS(H x W x L) | 200x200x100mm(HxWxD) |
| WEIGHT                | 1.04kg               |

## Technical Parameters

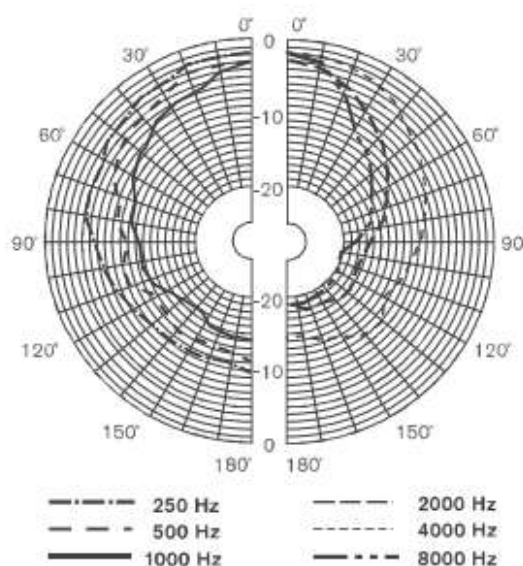
**FREQ. RESPONSE**  
(dB SPL, 1W, 1m)



**DISTORTION**  
(THD < 1.5% 1W, 1m, 100Hz-10kHz)



**Vertical directivity pattern**



**Horizontal directivity pattern**

## Dimension

