

DSP6608R 2x40W Wall Mount Active Speaker with Wireless Mic

Features

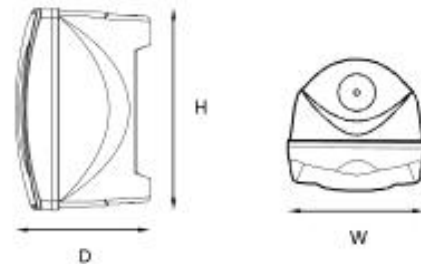
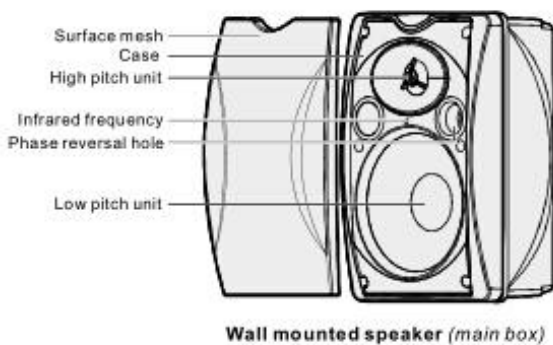


- RMS output: 2 x 40W
- Built-in Hi-Fi digital power amplifier, high efficiency, low power consumption
- Built-in wireless Mic receiver module, working distance 60m
- Support AUX input & balance MIC input
- With AUX output for extension DSP6606R or amplifier
- Priority level: wireless Mic, balance MIC > Line In input

Description

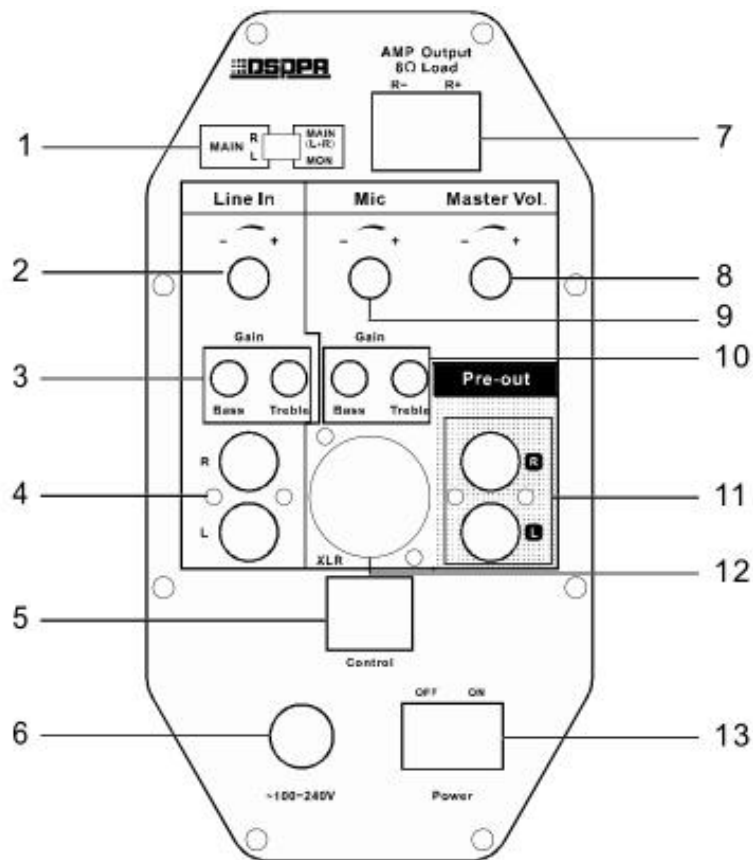
DSP6608R is a multimedia wall mount speaker especially designed for teaching. It adopts anti-oxidation pure aluminum panel, fireproof and thickening ABS material for box design, safe and durable. It built in Hi-fi digital power amplifier, low power consumption. It has phase reversal hole and bass & treble control, clear sound level, transparent, clear and bright. Built-in wireless microphone receiver module, and can be matched with DSPPA multimedia education system to realize both teaching and broadcast. This series PA speaker system is widely used in hotel, trade building, supermarket, school, entertainment, etc.

Product Information



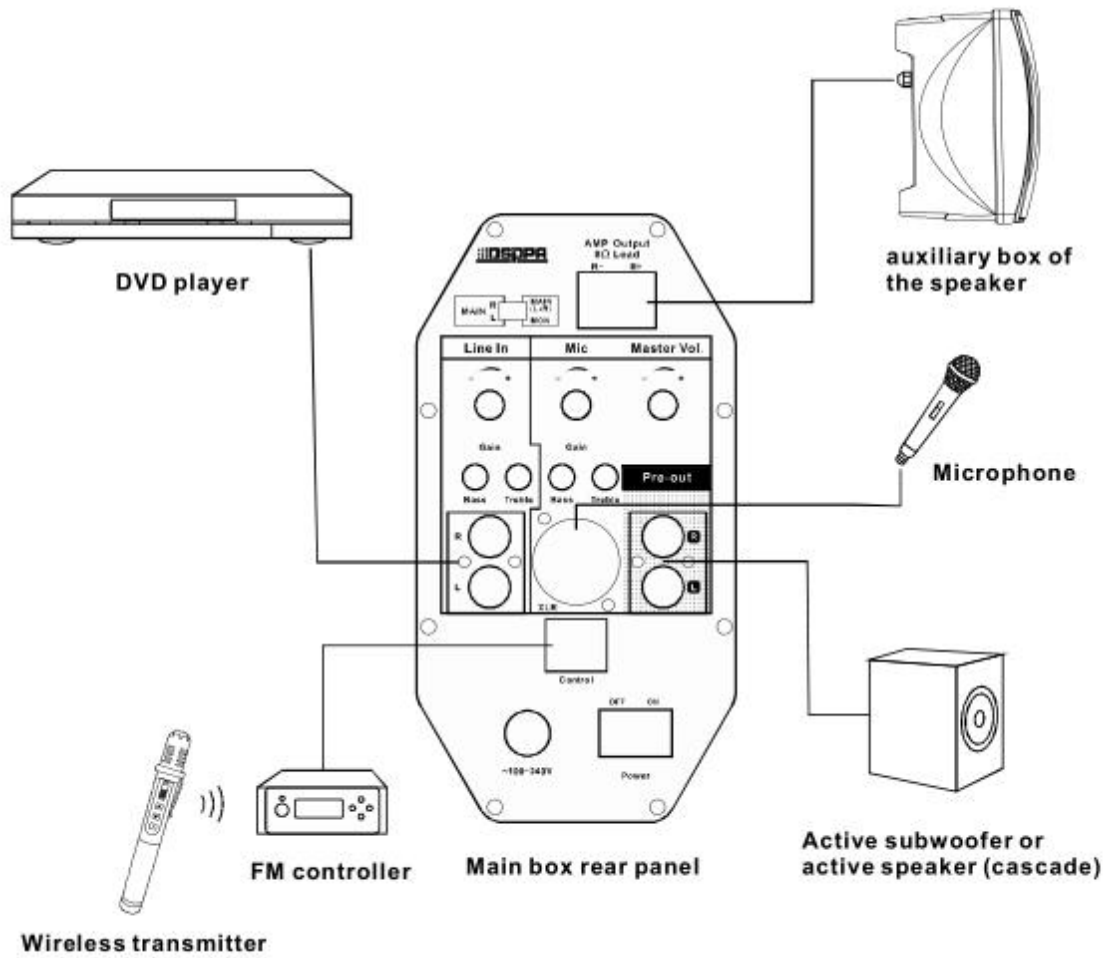
Model	H	W	D
DSP6606R	280	194	185
DSP6608R	310	215	203

Rear panel

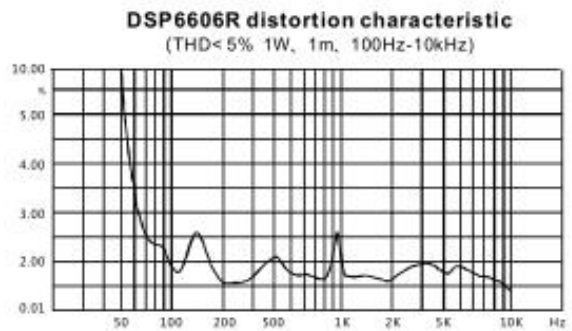
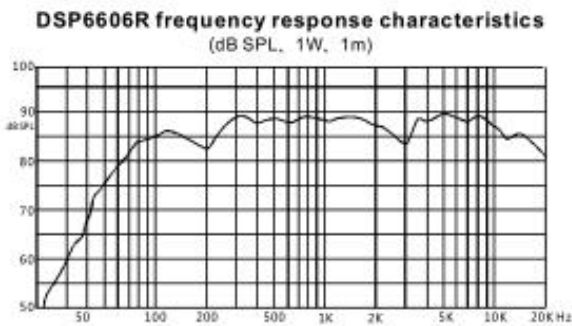


1. Mono stereo switch
2. Line input overall gain adjustment wire clip connects auxiliary box
3. Line input high pitch and low pitch gain
4. Line input interface (RCA)
5. Control input interface adjustment (connection FM controller) (RCA)
6. AC power cord (100-240V/ 50Hz/60Hz/2A)
7. Power amplifier right channel output WP wire clip connects auxiliary box
8. Total volume control knob
9. MIC input overall gain adjustment
10. MIC input high pitch and low pitch gain adjustment
11. Pre-out output interface
12. MIC balance input interface
13. Power switch (light on)

Typical application



Technical parameters



Specification

Item	Specification	DSP6606R	DSP6608R
Acoustic system	Speaker unit	5" x 1, 1" x 1	6" x 1, 1" x 1
	Sensitivity	90±2dB	90±2dB
	The maximum pressure level (1m)	105±2dB	106±2dB
	Frequency response	80Hz-20KHz	80Hz-20KHz
	Distortion degree	≤ 0.1%	≤ 0.1%
Power amplifier system	Rated power	2×30W /8Ω	2×40W /8Ω
	Frequency response	20Hz-20KHz	20Hz-20KHz
	Distortion degree	≤ 0.1%	≤ 0.1%
	SNR	≥81dB	≥81dB
	Channel separation degree	>50dB	>60dB
	Line In sensitivity	1V	300mV
	Line out output amplitude	1.0V	1.0V
	Balance MIC sensitivity	300mV @ 6.3 input	300mV @ 6.3 input
	high pitch	±8dB f 10kHz	±8dB f 10kHz
	Low pitch	±8dB@ f=100Hz	±8dB@ f=100Hz
	Priority	Balance MIC, wireless MIC > line input	Balance MIC, wireless MIC > line input
Power	Voltage	~100-240V/50/60Hz	~100-240V/50/60Hz
Other parameters	Product dimension (H x W x D)	280×194×185mm	310×215×203mm
	Product weight	3.2KG	4.6KG