

## DSP8063W 30W Wall Mount Speaker with Power Tap

### Features



- Input 70V/100V/4-16Ω
- Wide Freq.Resp.:80Hz-20KHz
- Max SPL:105±2dB
- High sensitivity:90±2dB
- Wall mount type loudspeaker
- Metal grille and ABS enclosure of black color
- Equipped with hanging holes for mounting convenient

### Description

The DSP8063 is a wall mount speaker built-in 70v/100v transformer. The 70v/100v transmission is realized in a high-voltage, low-current mode, which makes longer distance transmission and parallel connection of multiple loudspeakers possible.

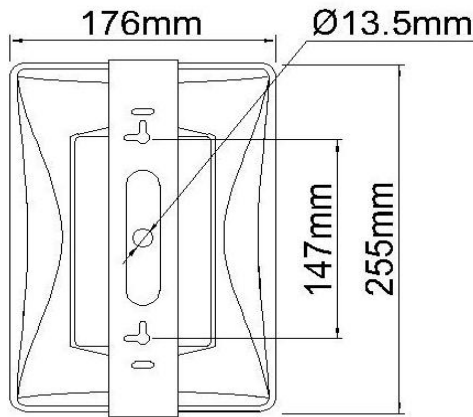
Metal grille and ABS enclosure of black color, long-term durability, never out of shape and fading; high sensitivity, clear and sonorous sound. Easy and secure wall mount installation by hanging holes.

It is ideal choice for industrial and commercial applications in hotel, school, office and factory where background music and paging is needed.

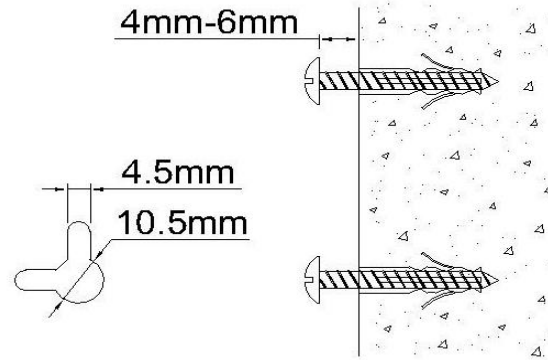
### Specification

<b>Model</b>	DSP8063	
Speaker Unit	5"×1, 1"×1	
<b>Rated Power</b>	30W	
<b>Input</b>	Constant voltage	70/100V
	Constant resistance	8Ω
<b>Sensitivity(1M,1W)</b>	90±2dB	
<b>Max SPL(1M)</b>	105±2dB	
<b>Freq. Resp</b>	80Hz-20kHz	
<b>Weight</b>	3.2 kg	
<b>Dimension(H×W×D)</b>	280×194×185mm	

### Hanging hole



### Nail For Mounting



## Installation

1. Fit two Ø4mm nails on wall where it is needed to install a speaker system.
2. Connect audio broadcasting wire to the speaker according to the table below.

Terminal	Power	Input Voltage		Constant resistance
		Constant voltage	Constant resistance	
Red--White		70V	100V	8Ω
		30W	-	30W
		15W	30W	
		8W	15W	
		5W	8W	
	2.5W	5W		

Note:

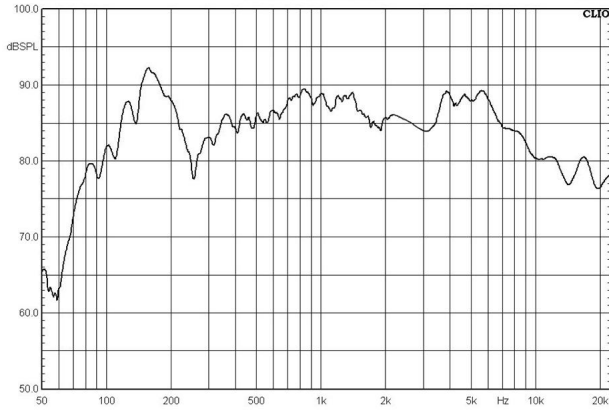
When the audio line is the constant voltage, prohibit the knob to the 8 Ω.

Prohibit to adjust to “—” under state at 100V cause speaker damage!

3. Position the speaker, then adjust the direction of it and examine whether it is steady.

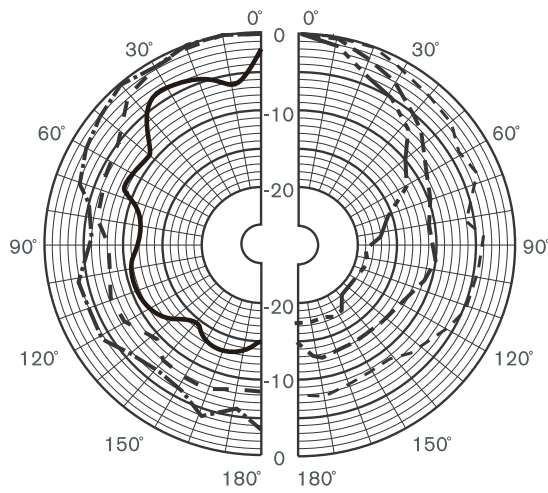
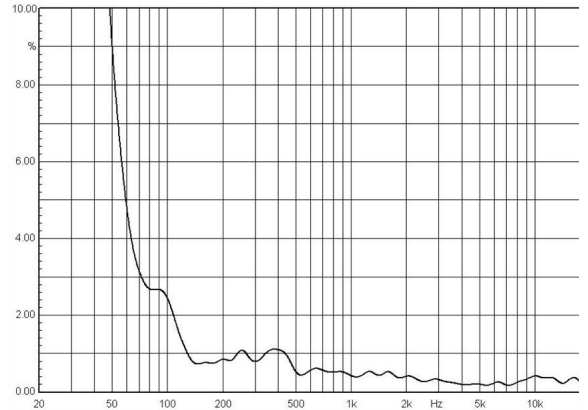
**FREQ. RESPONSE**

(dB SPL, 1W, 1m)



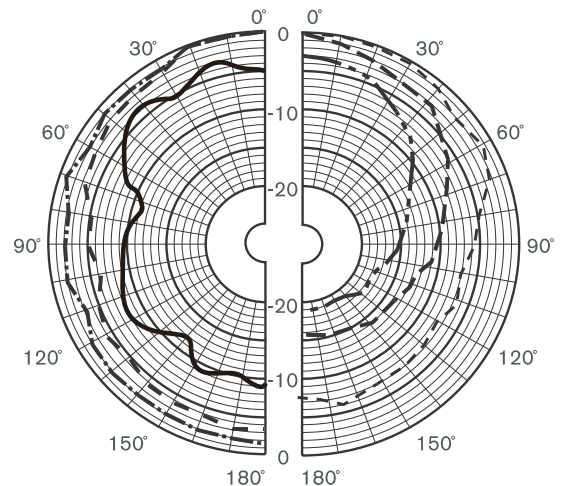
**DISTORTION**

(THD < 1.5% 1W, 1m, 200Hz~12kHz)



----- 250 Hz	----- 2000 Hz
----- 500 Hz	----- 4000 Hz
----- 1000 Hz	----- 8000 Hz

**DSP8063**  
**Vertical directivity pattern**



----- 250 Hz	----- 2000 Hz
----- 500 Hz	----- 4000 Hz
----- 1000 Hz	----- 8000 Hz

**DSP8063**  
**Horizontal directivity pattern**